



Remote Kit – Inbuilt USB/BT/FM

128x64(GLCD) Display – Version 1.60

Recommended board Operating Condition:0,+12VDC,2A

- ❖ Independent digital volume control of 5.1 channels: 0 to -99 dB(50 Steps, 2dB per step)
- ❖ Independent Gain Control(Input Gain & Output Gain) of 5.1 channels. 0 to +14 dB (7steps, 2dB per step)
- ❖ Tone Control for Bass/Treble. -14 to +14dB. (14 steps, 2dB per step)
- ❖ Default 3 L/R input & one 5.1 Input. Additional Boards of Opt/Coax/HDMI can add according the version update.
- ❖ Default 5.1 Audio out for the above all inputs. Remote Option given for 2.1 Audio out.
- ❖ One time 5.1 Input settings in "Admin Settings" for Market Boards like HD Audio Rush, Etc.
- ❖ Last Memory of Volume, Gain recalls & Welcome Name automatically.
- ❖ Mute/Pause/LCD Back Light off, will be released automatically once you click Volume button.
- ❖ Stand-by/Pause will be released by First Click(Press) of Rotary Encoder.
- ❖ "Test Tone" provided on long press of "Gain" button. Before do it, play any one song by USB/BT/FM.
- ❖ According to the input Remote button few will work, few will not work.
- ❖ Normal Re-set & Factory Re-set provided
- ❖ Welcome & BT Name: 1-Gem Tech, 2-Your brand name.



- ❖ Supported Audio file formats: mp3, Wav, FLAC, WMA, DTS(stereo only)
- ❖ Lyrical display on 16x2 LCD
- ❖ Song Selection can be by number. Provided song selection: Next, Previous, Next Folder, Previous Folder.
- ❖ Play/Pause, Mute. Play File option given (Single, Random, All etc.). Supports Equalizer (6 Type).



- ❖ Press "Play/Pause" button for Auto Tune. Once it completed you can Select Next/Prev Channels.
- ❖ FM TUNE Single Freq. adjustment:- /+ button given. The same button for USB too for Next/Previous Folder.

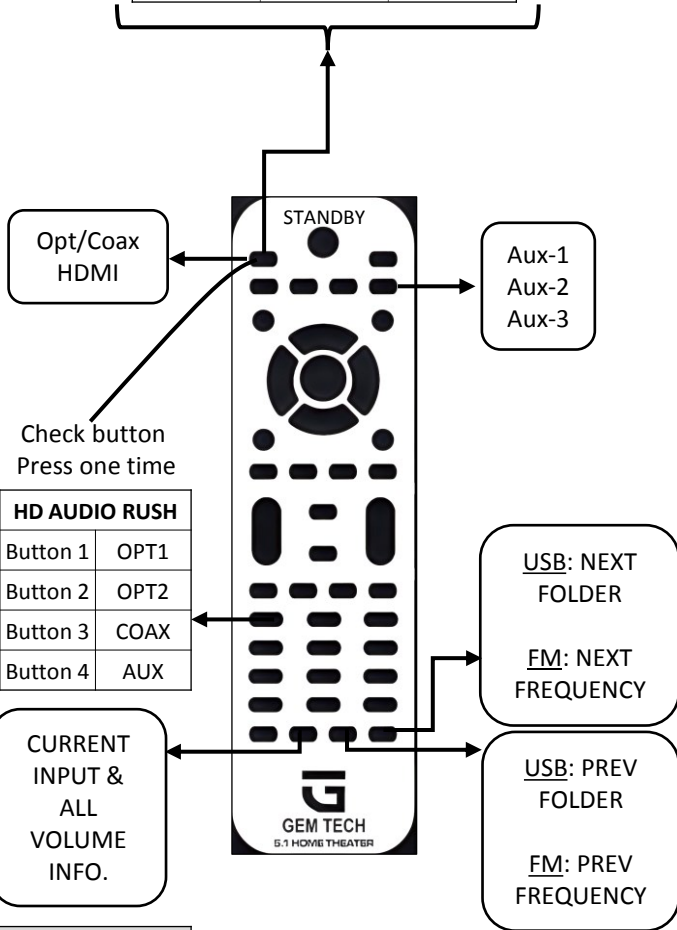


BLUETOOTH

- ❖ Version 5.0
- ❖ Name "GEM TECH" auto detects on mobile to connect.
- ❖ Remote control for audio : Next, Previous, Play/Pause.
- ❖ Audio AC3, AAC Supported.



AYINO	FT003-V1	FT003-V2
ARC	OPT	OPT
HDMI	COAX	COAX
OPT	ARC	ARC
COAX		AUX
BT		
PC		
USB		



Repeat Modes
A = All
D = One Device
1 = One File
R = Random
F = Folder

Equalizer Modes
N = Normal
R = Rock
P = Pop
C = Clasic
J = Jass
Y = Country

Use Gem Tech's **Power Converter Board** to avoid Humming & Display issues.



Remote button functions	
Gem Tech's	Ayino Board
Opt/Coax	Inputs: ARC, HDMI, Opt, Coax, BT, PC, USB
Ch-	Previous
Ch+	Next
Play/Pause	Play/Paus
Tune-	Tune -
Tune+	Tune +
1	Base -
2	Move Up
3	Base +
4	Move Left
5	Enter
6	Move Right
7	Treble -
8	Move Down
9	Treble +

Admin Settings :-		
1	Software version	Press GAIN, EQ
2	Factory Reset	Press GAIN, EQ, 0
Current Ver: 1.60		
Features & Settings in Admin mode		
1	Menu type of Admin & Rotary settings. Input & volume settings in Rotary	
2	Factory Reset	
3	Gain Settings. Press "Play/Pause" Button to Save	
4	Market HD Board settings. Ex: Audio Rush etc..	
5	Welcome Logo Settings	
6	Stand-by Setup	
7	GLCD back light auto off Enable or Disable.	
8	Audio Out settings. Example 5.1 or 2.1	
9	BT & Welcome Name Settings	
Use Tune+, Tune- button to selection, for Enter use Play Pause button.		

QR CODE for Manual, Wire connection diagram (google drive link)



Additional support of PINs from Microcontroller for External board On/Off & Switching					
Pulse Support	Pin	Purpose / Board	Condition	Pulse	Volt
Power Control (can use GemTech's Digital Switching Board)	R0	HD Audio Rush	Not Selected	High	3.3v
			Selected	Low	0v
	R1	Ayino Board	Not Selected	High	3.3v
			Selected	Low	0v
	R2	FT003	Not Selected	High	3.3v
			Selected	Low	0v
Speaker Protection Board	A0	Gem Tech Board	Standby	High	3.3v
			Play	Low	0v
	A8	Other Market Board can be	Standby or Mute	High	3.3v
			Play	Low	0v
IR Control	IR	Market Board			
Input Switching	Opt1	HD Audio Rush	Solder 3 lines to Concern LED's -ve Line and 1 SW line, 1 GND. For Input Selection Press First Check button Opt/Coax on remote & 1 or 2 or 3 or 4.		
	Opt2				
	Cax				
	SW				
	GND	FT003 V1 or FT003 V2	A		
	C0		B		
C1	SW				
Audio File Format	CS	FT003 V2	PCM	if no need this, pins CS,A0,RE must be Grounded	
	A0		DD		
	RE		DTS		
Ground Pins	GND	Use any this pin while you attach Gem Tech Board or Market Board			

Can attach these Gem Tech Boards, Market Boards

